



Product designation				MINIATURE RELAYS
Product type designation				HR502C
<b>Contact characteristics</b>				
Contact configuration				2 C/O
Rated insulation voltage $U_i$ IEC/EN	V			250
Rated impulse withstand voltage $U_{imp}$	kV			6
IEC Conventional free air thermal current $I_{th}$	A			8
Maximum instantaneous current	A			10
Rated current ( $I_n$ )	A			8
Relay control voltage	V			110VAC
Max contrrollable power in	AC-1	W	2000	
	AC-15	VA	150	
Rated operating power AC-1			VA	2000
	230 VAC	VA	150	
Rated operating current DC-1	30V	A	8	
	110V	A	0.3	
	220V	A	0.1	
Minimum switching load	V / mA			5 / 100
Contact impedance	m $\Omega$			100
Contact material				Ag/Ni
<b>Operating times</b>				
Closing	ms			<15
Opening	ms			<15
<b>Operations</b>				
Mechanical life	cycles			10000000
Electrical life AC1	cycles			50000
<b>Coil characteristics</b>				
Average coil consumption AC at 20°C	VA			1
Average coil consumption DC at 20°C	W			0.4
Operating range	Closing	% $U_n$	70...110	
	Opening	% $U_n$	20...55	
Maximum cycle frequency	cycles/h			3600
<b>Mechanical features</b>				
Max socket terminal tightening torque	Nm			0.6
Socket screw tightening tool (cross / flat blade)				PH1 / 4.5mm
Conductor section	AWG/Kcmil			
		min	20	
		max	14	

IEC

min	mm <sup>2</sup>	0.5
max	mm <sup>2</sup>	2.5

Operating position

normal	Any
--------	-----

Fixing

On 35mm DIN rail and with screw

**Ambient conditions**

Temperature

Operating temperature

min	°C	-40
max	°C	+70

Storage temperature

min	°C	-40
max	°C	+85

**Other features**

Indication

Yes

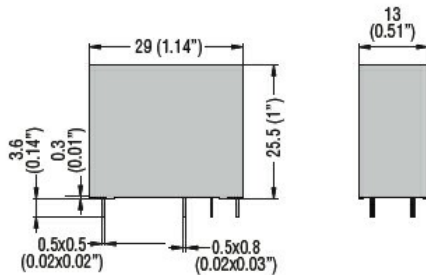
Mechanical contact position indicator

Yes

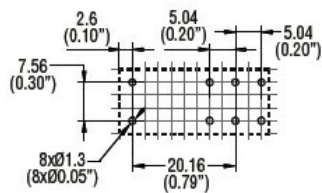
Mechanical test actuator

Yes

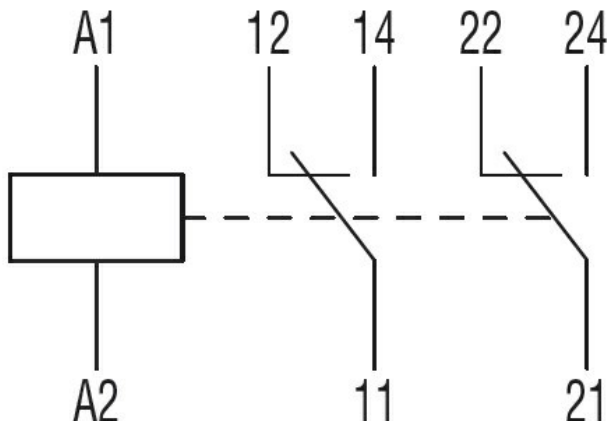
**Dimensions**



PCB layout



**Wiring diagrams**



**Certifications and compliance**

Compliance

IEC/EN 61810

Certificates

CSA

cURus

EAC

VDE

ETIM classification

ETIM 8.0

EC001437 -  
Switching relay